

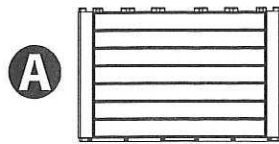


GARDEN STORAGE BOX

Assembly Instruction - FOLLOW with caution STEP BY STEP!!!

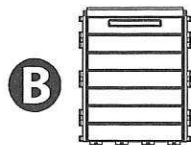
SET CONTAINS:

Zestaw zawiera:



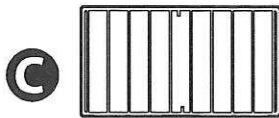
A

A x 2



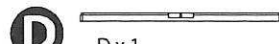
B

B x 2



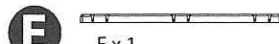
C

C x 1 - bottom



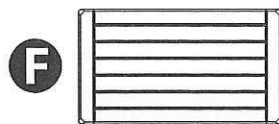
D

D x 1



E

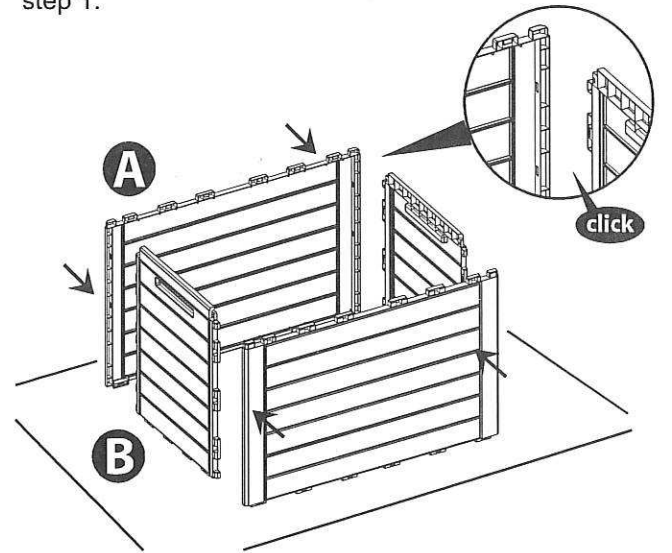
E x 1



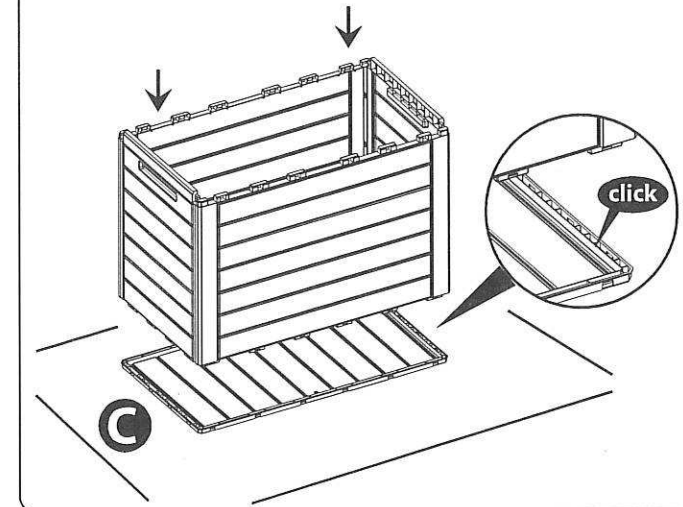
F

F x 1 - top

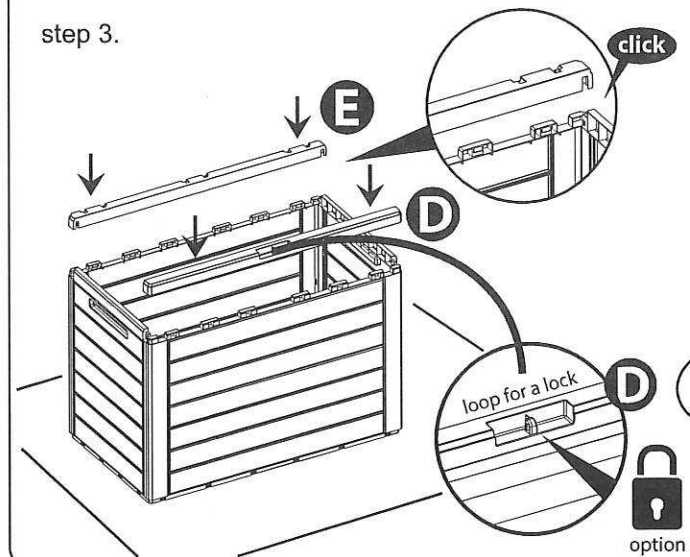
step 1.



step 2.



step 3.



step 4.

